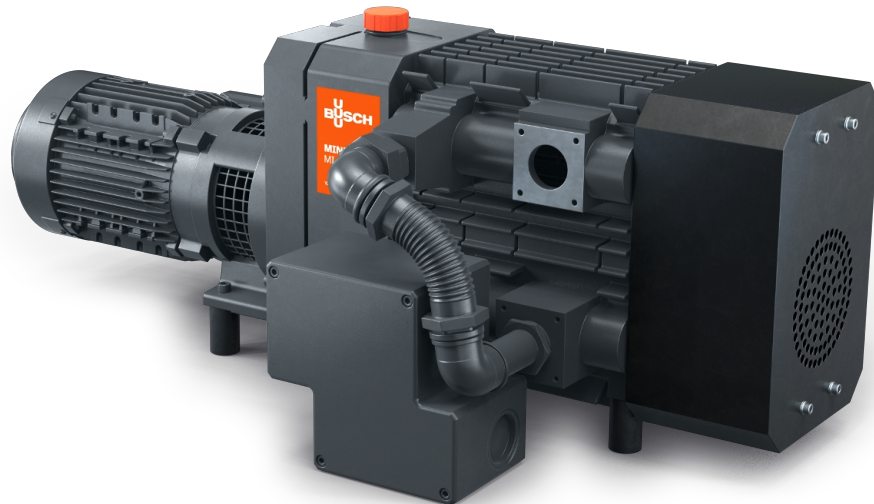


MINK MI 2124/2122 BV

Dry claw vacuum pumps



VACUUM SOLUTIONS



Efficient

Substantial energy savings compared to conventional vacuum generators, minimized operating costs

Nearly maintenance-free

Dry and contact-free operation

High performance

Low ultimate pressure due to two-stage construction

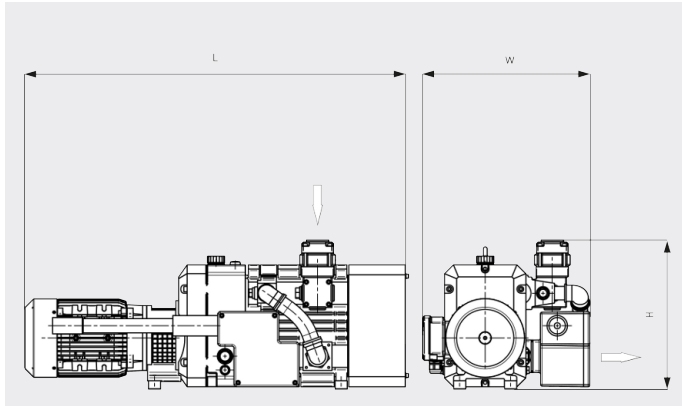
MINK MI 2124/2122 BV

Dry claw vacuum pumps



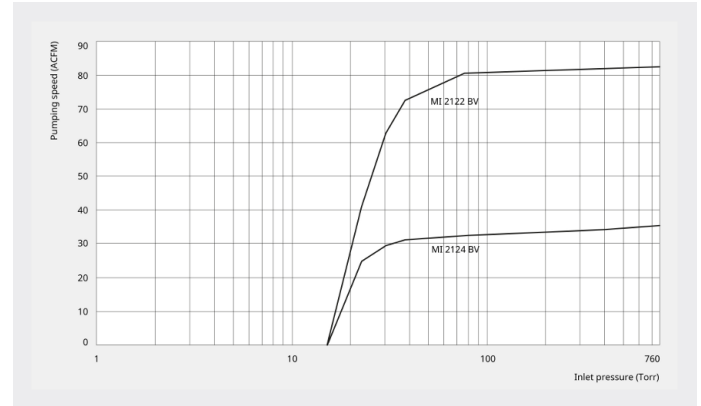
VACUUM SOLUTIONS

Dimensional drawing



Pumping speed

Air at 70°F. Tolerance: ± 10%



	MINK MI 2124 BV	MINK MI 2122 BV
Nominal pumping speed	38 ACFM	85 ACFM
Ultimate pressure	15 TORR	15 TORR
Nominal motor rating	3 HP	7.5 HP
Nominal motor speed	1800 RPM	3600 RPM
Noise level (ISO 2151)	77 dB(A)	84 dB(A)
Weight approx.	325 Lbs.	352 Lbs.
Dimensions (L x W x H)	30.3 x 9 x 15.7 inches	42.3 x 9 x 15.7 inches
Gas inlet / outlet	1¼" / 1"	1¼" / 1"

DO YOU WANT TO KNOW MORE?

Get in touch with us directly!
info@buschusa.com or +1 757 463 7800



CONTACT FORM



CALL NOW